

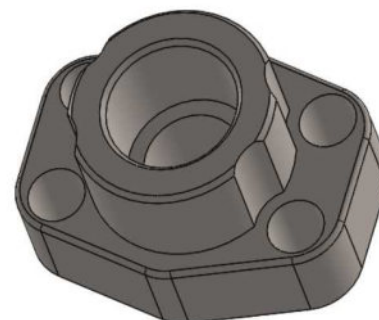
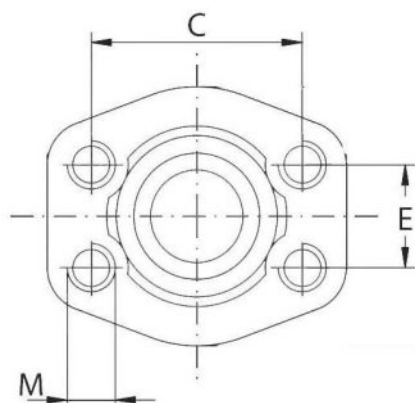
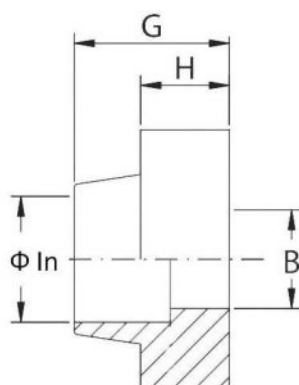
Bridas SAE

Bridas soldables tubo Gas

## Contrabrida soldable hembra tubo gas



Acero Inoxidable AISI 316-L



Artículo	Serie	Ø int	Tamaño	B	C	E	G	H	M
<b>ZBCSG308216</b>	3000 PSI	21.6	1/2"	13	38,1	17,48	36	16	M8
<b>ZBCSG312272</b>	3000 PSI	27.2	3/4"	19	47,63	22,23	36	18	M10
<b>ZBCSG316340</b>	3000 PSI	34.0	1"	25	52,37	26,19	38	18	M10
<b>ZBCSG320428</b>	3000 PSI	42.8	1"1/4	32	58,72	30,18	41	21	M10
<b>ZBCSG324486</b>	3000 PSI	48.6	1"1/2	38	69,85	35,71	45	25	M12
<b>ZBCSG332610</b>	3000 PSI	61.0	2"	51	77,77	42,88	45	25	M12
<b>ZBCSG340766</b>	3000 PSI	76.6	2"1/2	63	88,9	50,8	50	25	M12
<b>ZBCSG348905</b>	3000 PSI	90.5	3"	73	106,38	61,93	50	27	M16
<b>ZBCSG3561030</b>	3000 PSI	103.0	3"1/2	89	120,65	69,85	48	27	M16
<b>ZBCSG3641155</b>	3000 PSI	115.5	4"	99	130,18	77,77	48	27	M16
<b>ZBCSG608216</b>	6000 PSI	21.6	1/2"	13	40,49	18,24	36	16	M8
<b>ZBCSG612272</b>	6000 PSI	27.2	3/4"	19	50,8	23,8	35	21	M10
<b>ZBCSG616340</b>	6000 PSI	34.0	1"	25	57,15	27,76	42	25	M12
<b>ZBCSG620428</b>	6000 PSI	42.8	1"1/4	32	66,68	31,75	45	27	M14
<b>ZBCSG624486</b>	6000 PSI	48.6	1"1/2	38	79,38	36,5	50	30	M16
<b>ZBCSG632610</b>	6000 PSI	61.0	2"	51	96,82	44,45	65	37	M20